

Extension module - PSR-SCP- 24DC/TS/SDI8/SDIO4 - 2986038

Please be informed that the data shown in this PDF Document is generated from our Online Catalog. Please find the complete data in the user's documentation. Our General Terms of Use for Downloads are valid (<http://phoenixcontact.com/download>)




PSR-TRISAFE-M input/output extension module with 8 safe inputs and 4 safe, configurable channels (choice of safe inputs or outputs), 2 clock/alarm outputs; up to SILCL 3, Cat.4/PL e, SIL 3, EN 50156, plug-in screw connection terminal blocks

Your advantages

- ✓ Flexible extension with safe inputs and outputs
- ✓ Narrow 22.5 mm housing
- ✓ 4 safe digital outputs or 4 additional digital inputs (that can be configured using SAFECONF)
- ✓ Including PSR-TBUS connector (DIN rail connector) for adapting to the PSR-TRISAFE-M master module
- ✓ Easy graphical configuration instead of complex programming
- ✓ Multifunctional use for a wide range of safety functions
- ✓ Quick startup thanks to user-friendly simulation and test options
- ✓ Up to Cat. 4/PL e according to ISO 13849-1, SILCL 3 according to IEC 62061, SIL 3 according to IEC 61508
- ✓ 8 safe digital inputs
- ✓ 2 alarm outputs or 2 clock outputs (that can be configured using SAFECONF)
- ✓ EN 50156



Key Commercial Data

Packing unit	1 pc
GTIN	 4 046356 451871
GTIN	4046356451871

Technical data

Note

Utilization restriction	EMC: class A product, see manufacturer's declaration in the download area
-------------------------	---

Dimensions

Width	22.5 mm
-------	---------

Extension module - PSR-SCP- 24DC/TS/SDI8/SDIO4 - 2986038

Technical data

Dimensions

Height	99 mm
Depth	114.5 mm

Ambient conditions

Ambient temperature (operation)	-20 °C ... 55 °C
Ambient temperature (storage/transport)	-20 °C ... 70 °C
Max. permissible relative humidity (operation)	75 % (On average, 85 % occasionally)
Max. permissible humidity (storage/transport)	75 % (On average, 85 % occasionally)
Air pressure (operation)	70 kPa ... 108 kPa (up to 3000 m above sea level)
Air pressure (storage/transport)	66 kPa ... 108 kPa (up to 3500 m above sea level)
Maximum altitude	max. 2000 m (See Appendix "Using PSR-TRISAFE modules at altitudes greater than 2000 m above sea level")

Power supply

Rated control circuit supply voltage U_s	24 V DC (Electrical supply via PSR-TBUS)
	18 V DC ... 30 V DC (Incl. all tolerances, incl. residual ripple)
Rated control supply current I_s	Electrical supply via PSR-TBUS
	typ. 51.6 mA (No inputs or outputs set, A1/A2 open)
	typ. 66 mA (All inputs and safe outputs set)
Filter time	typ. 20 ms (Load-dependent, in the event of voltage dips at U_s)
Status display	1 x green LED, 1 x red LED
Protective circuit	Yes, within the scope of the operating voltage limits

Digital inputs

Description of the input	Digital input
Number of inputs	12 (Of which 4 can be configured as input or output)
Input voltage range "0" signal	0 V DC ... 5 V DC (for safe Off)
Input voltage range "1" signal	11 V DC ... 30 V DC
Current consumption	typ. 4 mA
Cable length	max. 2000 m
Status display	12 LEDs (green)

Digital outputs

Number of outputs	4 (If the configurable inputs/outputs are used as outputs)
Nominal output voltage	24 V DC (Supply via A1/A2)
Nominal output voltage range	18 V DC ... 30 V DC (Incl. all tolerances, incl. residual ripple)
Max. capacitive load	max. 1 μ F (Electronic components)
Max. inductive load	See "Protective circuit"
Test pulses	< 1 ms
Note on protection circuit	Yes, within the scope of the operating voltage limits
Short-circuit protection	Yes
Status display	4x LED green

Clock/signal outputs

Extension module - PSR-SCP- 24DC/TS/SDI8/SDIO4 - 2986038

Technical data

Clock/signal outputs

Output description	Digital
Number of outputs	2
Voltage	24 V DC (Supply via A1/A2)
Limiting continuous current	50 mA
Test pulses	~ 1 ms
Short-circuit protection	Yes

Times

Response time	max. 30 ms (plus response time of PSR-TS-SDOR4)
Recovery time	< 10 s

General

Nominal operating mode	100% operating factor
Net weight	130 g
Mounting position	On horizontal DIN rail
Mounting type	DIN rail mounting
Degree of protection	IP20
	IP54
Min. degree of protection of inst. location	IP54
Housing material	Polyamide PA non-reinforced
Housing color	yellow

Connection data

Connection method	Screw connection
pluggable	Yes
Conductor cross section solid min.	0.2 mm ²
Conductor cross section solid max.	2.5 mm ²
Conductor cross section flexible min.	0.2 mm ²
Conductor cross section flexible max.	2.5 mm ²
Conductor cross section AWG min.	24
Conductor cross section AWG max.	12
Stripping length	7 mm
Screw thread	M3
Torque	0.5 Nm ... 0.6 Nm
	5 lb _f -in. ... 7 lb _f -in.

Safety-related characteristic data

Stop category	0
Designation	IEC 61508 - High demand
Safety Integrity Level (SIL)	2 (1-channel parameterization)
	3 (2-channel parameterization)
Designation	IEC 61508 - Low demand
Safety Integrity Level (SIL)	2 (1-channel parameterization)

Extension module - PSR-SCP- 24DC/TS/SDI8/SDIO4 - 2986038

Technical data

Safety-related characteristic data

	3 (2-channel parameterization)
Designation	EN ISO 13849
Performance level (PL)	d (1-channel parameterization)
	e (2-channel parameterization)
Category	2 (1-channel parameterization)
	4 (2-channel parameterization)
Designation	EN 62061
Safety Integrity Level Claim Limit (SIL CL)	2 (1-channel parameterization)
	3 (2-channel parameterization)
Designation	EN 50156
Safety Integrity Level (SIL)	max. 3 (Reference IEC 61508)

Standards and Regulations

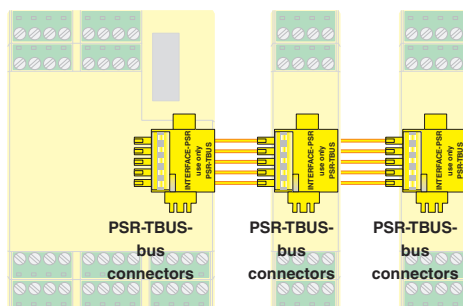
Designation	Air clearances and creepage distances between the power circuits
Standards/regulations	DIN EN 50178
Degree of pollution	2
Overvoltage category	III
Vibration (operation)	2g
Shock (operation)	10g ($\Delta t = 11$ ms, three shocks in each space direction)
	10g ($\Delta t = 16$ ms, continuous shock, 1000 shocks in each space direction)

Environmental Product Compliance

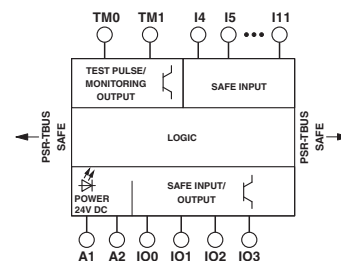
China RoHS	Environmentally Friendly Use Period = 50
	For details about hazardous substances go to tab "Downloads", Category "Manufacturer's declaration"

Drawings

Connection diagram



Circuit diagram



PSR-TBUS DIN rail connectors are used for cross-wiring between the modules.

Extension module - PSR-SCP- 24DC/TS/SDI8/SDIO4 - 2986038

Approvals

Approvals

Approvals

UL Listed / cUL Listed / Functional Safety / cULus Listed

Ex Approvals

Approval details

UL Listed		http://database.ul.com/cgi-bin/XYV/template/LISEXT/1FRAME/index.htm	FILE E 140324
-----------	--	---	---------------

cUL Listed		http://database.ul.com/cgi-bin/XYV/template/LISEXT/1FRAME/index.htm	FILE E 140324
------------	--	---	---------------

Functional Safety			01/205/5151.03/17
-------------------	--	--	-------------------

cULus Listed			
--------------	--	--	--

Phoenix Contact 2019 © - all rights reserved
<http://www.phoenixcontact.com>

PHOENIX CONTACT GmbH & Co. KG
Flachsmarktstr. 8
32825 Blomberg
Germany
Tel. +49 5235 300
Fax +49 5235 3 41200
<http://www.phoenixcontact.com>