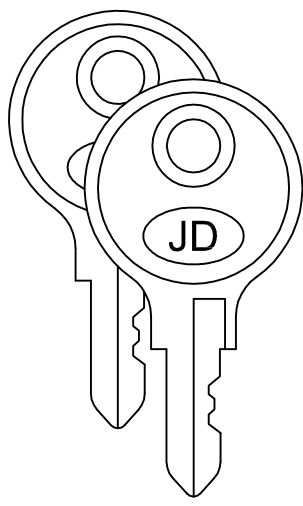
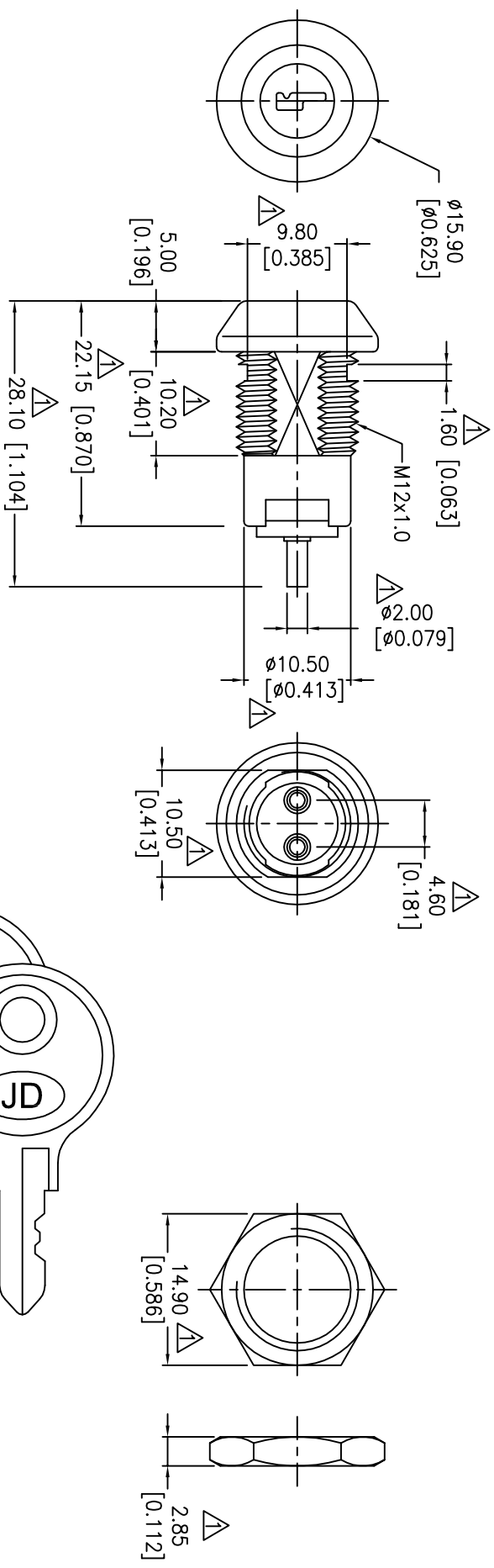


CUSTOMER MELCHIONI FILE NO. 433329328

THIS DRAWING AND SPECIFICATIONS HEREIN ARE THE CONFIDENTIAL PROPERTY OF SAMAR AND SHALL NOT BE REPRODUCED OR COPIED OR DISCLOSED IN WHOLE OR IN PART WITHOUT WRITTEN PERMISSION.

REV.	DESCRIPTION	DRAWN / DATE	APPROVED / DATE
0	INITIAL RELEASE	YANG 10/23/2002	LIN 10/23/2002
1	CHANGE DIM.	YANG 07/24/2009	



**ELECTRICAL SPECIFICATIONS**

- CONTACT RATING : 2A 125VAC, 1A 250VAC
- CONTACT RESISTANCE : BELOW 10 million OHMS
- INSULATION RESISTANCE : 500 mega OHMS Min-
- DIELECTRIC STRENGTH : 1000V RMS Min. sea level
- ELECTRICAL LIFE : 6000 make-and-break CYCLES AT FULL LOAD

**MATERIALS**

- LOCK HOUSING : ZINC ALLOY DIE-CASTED NICKEL PLATED.
- CYLINDER : 4 DISC TUMBLERS CONSTRUCTED.
- LOCK HEAD : COVERED BY STAINLESS STEEL PLATE.
- KEYS : SINGLE BITTED, BRASS OR STEEL NICKEL PLATED.
- CONTACTS : COPPER SILVER PLATED, GOLD PLATE AVAILABLE IF SPECIAL ORDERED.
- MOUNTING NUT : STEEL NICKEL PLATED.

DIMENSIONS ARE IN [INCH]		TOLERANCES ARE FRACTIONS DECIMALS ANGLES		MATERIAL		P/N		DRAWN		DATE	
MOLD NO.		x ±0.2 [0.008]		FINISH		PROJECT NO.		YANG		10/23/2002	
433329328		.xx ±0.12 [0.005]		COLOR		SCALE 1.6:1		SIZE A4		SHEET 1 OF 1	
<b>SAMAR</b>						KEYSWITCH					
						M.J023					