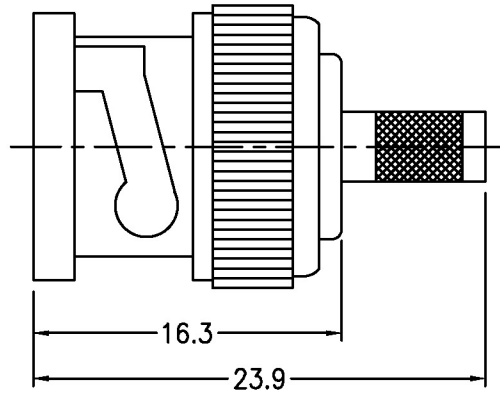
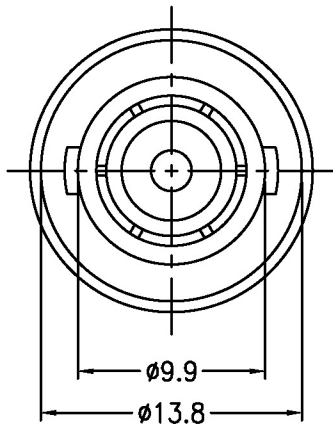


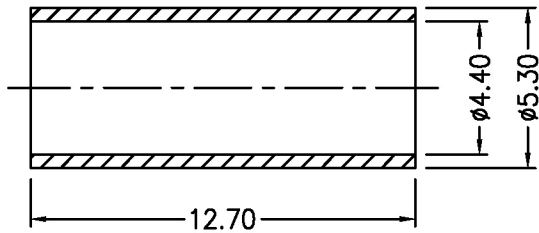
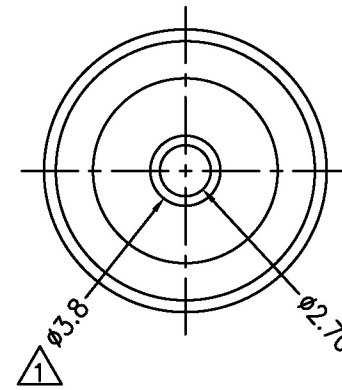
CUSTOMER MELCHIONI FILE NO. 492515780

THIS DRAWING AND SPECIFICATIONS, HEREIN ARE THE CONFIDENTIAL PROPERTY OF SAMAR AND SHALL NOT BE REPRODUCED OR COPIED OR DISCLOSED IN WHOLE OR IN PART WITHOUT WRITTEN PERMISSION.

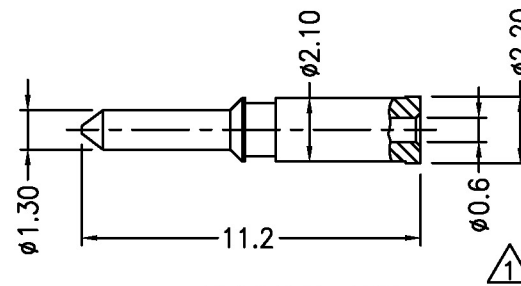
REV.	DESCRIPTION	DRAWN / DATE	APPROVED / DATE
0	INITIAL RELEASE	YANG 03/02/2007	LIN 03/02/2007
1	REVISED DIMENSIONS	FROS 12/02/2008	



BODY



SLEEVE
SCALE=4:1



CENTRAL PIN
SCALE=4:1

4	CENTRAL PIN	BRASS, GOLD-PLATED	1	
3	SLEEVE	BRASS, NICKEL-PLATED	1	
2	SHELL	ZINC, NICKEL-PLATED	1	
1	BODY	BRASS, NICKEL-PLATED	1	
NO.	PART NAME	DESCRIPTION	QTY	REMARK

DIMENSIONS ARE IN	TOLERANCES ARE	MATERIAL
mm [INCH]	FRACTIONS DECIMALS ANGLES	
MOLD NO.	.x ±0.2 [0.008]	FINISH
492515780	.xx ±0.12 [0.005]	COLOR

SAMAR

BNC CRIMP PLUG FOR
RG174/U

P/N	492515780	DRAWN	YANG	DATE	03/02/2007
PROJECT NO.					
SCALE	2.5:1	SIZE	A4	SHEET	1 OF 1
					MJ029