

INTERRUTTORI

Switches | Interrupteurs



INTERRUTTORI UNIPOLARI

Single pole switches | Interrupteurs unipolaires

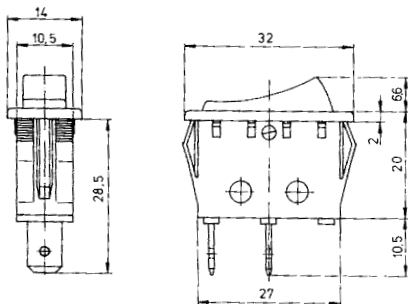
Tensione 250 Vac	Voltage 250 Vac	Tension 250 Vac
Corrente 16 A resistivi/6 A induttivi	Current 16 A resistive/6 A inductive	Courant 16 A résistifs/6 A inductifs
Contatti Ottone argentato faston 6,3 mm	Contacts Silver-plated brass 6,3 mm faston	Contacts Laiton argenté faston 6,3 mm
Corpo Poliamide 66 nero	Body Black 66 polyamide	Corps Polyamide 66 noir
Cicli di lavoro 300.000	Operating cycles 300.000	Durée de vie 300.000 cycles
Temperatura 125°C	Temperature 125°C	Température 125°C
Norme riferimento UL1054 EN 61058	Standards UL1054 EN 61058	Normes UL1054 EN 61058



Codice Code Code	Circuito Circuit Circuit	Colore bascula Rocker colour Couleur bascule
I4600	on - on	■
I4613	on - off	■ neon
I4615	on - off	■ neon
I4612	on - off	■ neon
I4620	on - off	■
• I4621	on - mom	■
I4630	on off on	■

Accessorio | Accessory | Accessoire
PG4600 calotta di protezione IP54/IP54 protection cover PG4600/PG4600 capot de protection IP54

Dimensioni | Dimensions | Dimensions



- grado di protezione 40 IP
sealing IP 40
indice de protection IP 40
- cava pannello 30x11 mm
panel cut-out 30x11 mm
découpe du panneau 30x11 mm
- corrente max 10 A
max current 10 A
courant max 10 A
- 100 pz
100 pcs
100 pces
- pronta
in stock
en stock



INTERRUTTORI BIPOLARI

Double pole switches | Interrupteurs bipolaires

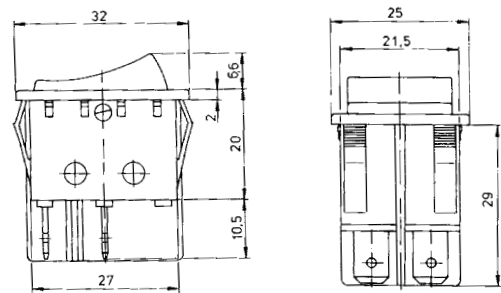
Tensione 250 Vac	Voltage 250 Vac	Tension 250 Vac
Corrente 16 A resistivi/6 A induttivi	Current 16 A resistive/6 A inductive	Courant 16 A résistifs/6 A inductifs
Contatti Ottone argentato faston 6,3 mm	Contacts Silver-plated brass 6,3 mm faston	Contacts Laiton argenté faston 6,3 mm
Corpo Poliamide 66 nero	Body Black 66 polyamide	Corps Polyamide 66 noir
Cicli di lavoro 300.000	Operating cycles 300.000	Durée de vie 300.000 cycles
Temperatura 125°C	Temperature 125°C	Température 125°C
Norme riferimento UL1054 EN 61058	Standards UL1054 EN 61058	Normes UL1054 EN 61058



Codice Code Code	Circuito Circuit Circuit	Colore bascula Rocker colour Couleur bascule
I4700	on - on	■
I4713	on - off	■ neon
I4715	on - off	■ neon
I4712	on - off	■ neon
I4720	on - off	■
• I4721	off - mom	■
I4730	on off on	■

Accessorio | Accessory | Accessoire
PG4700 calotta di protezione IP54/IP54 protection cover PG4700/PG4700 capot de protection IP54

Dimensioni | Dimensions | Dimensions



- grado di protezione 40 IP
sealing IP 40
indice de protection IP 40
- cava pannello 30x22 mm
panel cut-out 30x22 mm
découpe du panneau 30x22 mm
- corrente max 10 A
max current 10 A
courant max 10 A
- 100 pz
100 pcs
100 pces
- pronta
in stock
en stock