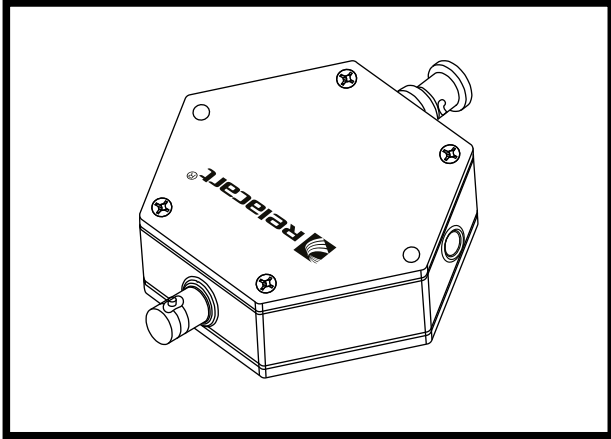


# R-20P

## Antenna Forelectric Appliance



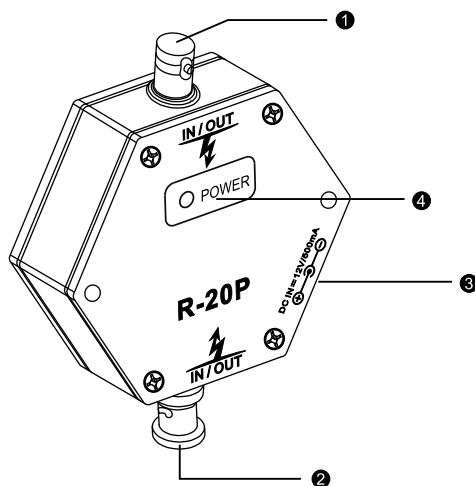
### Technical Specifications

Connect: BNC
Frequency Range: 200MHz-1GMHz
Internal attenuation: less than 1.5dB
Power requirement: Power Adapter with 12V/1A
Power supply: DC8V, 300mA
Working temperature: -25°~50°C
Dimension: 87mm x 65mm x 20mm
Weight: about 90g
Material: Black electroplate aluminum

The R-20P is a device that supplies power to antennas or antenna amplifiers, providing DC8V, 300mA output, allowing external antenna systems to work independently. The aluminum housing is designed with a rugged, lightweight construction and excellent heat dissipation, making the internal circuitry durable and continuously providing the output voltage, which is a best choice for the antenna receiving system.

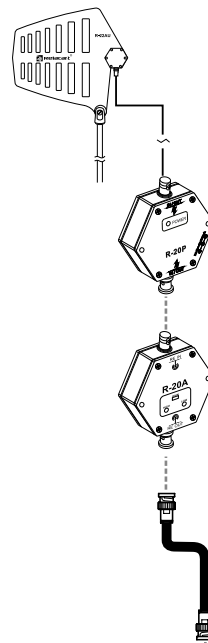
-The type of the connection cable and length: 50 Ohm low-loss coaxial cable.

### R-20P Functions

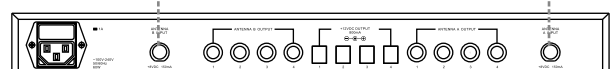
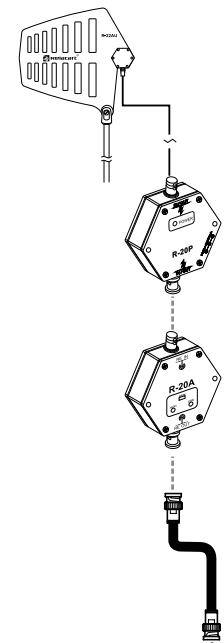


- ①、② Antenna connection Input or output (BNC terminal)  
Connect the required antenna equipment.
- ③ 9 to 12V-DC power input port.
- ④ Power Indicator.

R-22AU/R-22U  
Directional Antenna



R-22AU/R-22U  
Directional Antenna



R-14D